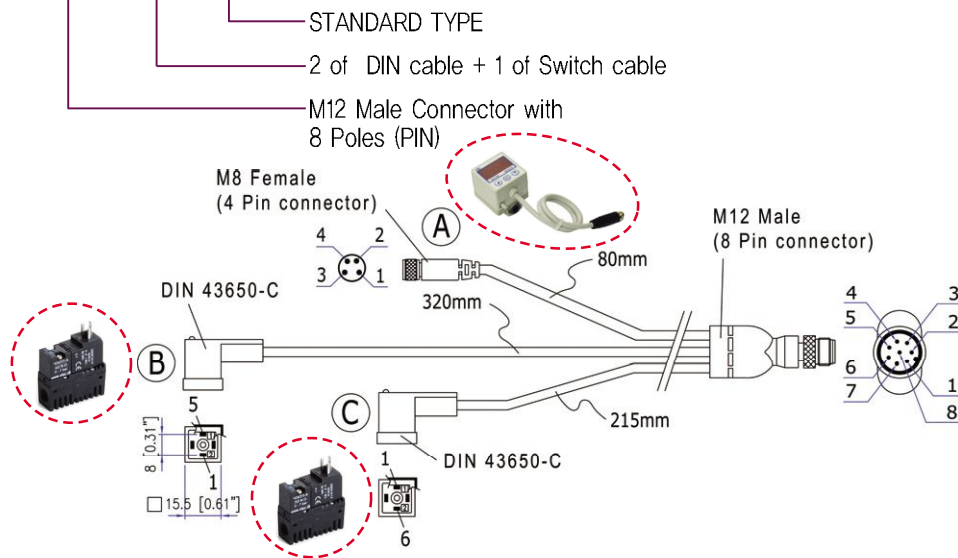


BUS Cables and Connection Cables for Vacuum Pumps

Order No.

- Bus Cables for '3 in 1' – Vacuum ON/OFF + Vacuum Release ON/OFF + Vacuum Switch

BC M12 - 3DS - 1

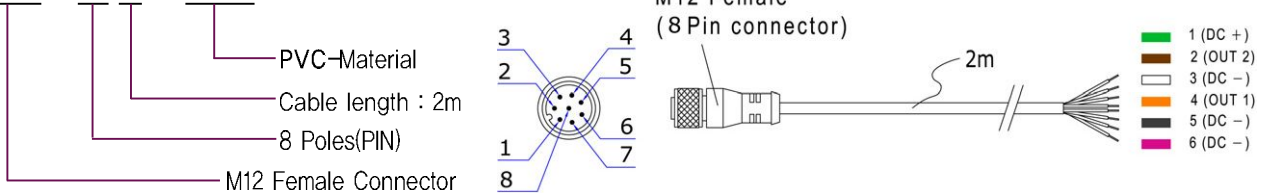


Specifications of DIN 43650-C	
Type of contact : Screw with conductor protection	Max. conductor section : 0.75 mm ²
Contact spacing : 8mm	Protection class : IP 65 assembled
Number of poles : 2 Poles	Fixing screw : M2.5 x 28.5
Cable material : PVC H03VVF	Profile gasket : NBR

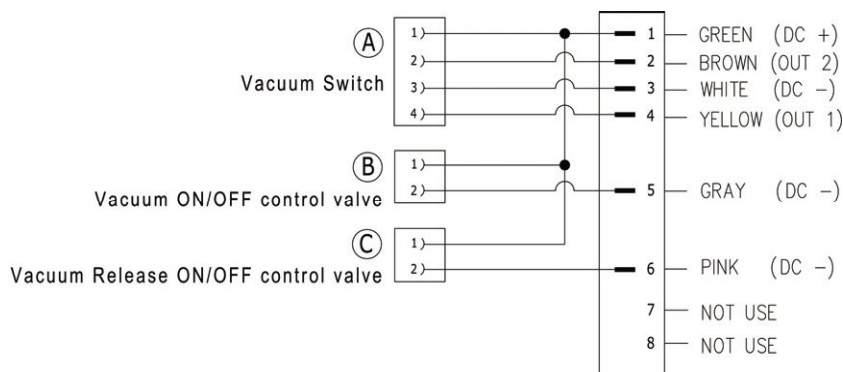
Order No.

- Connection Cables for BC M12..

VC M12 - 8 2 - PVC



Connection diagram

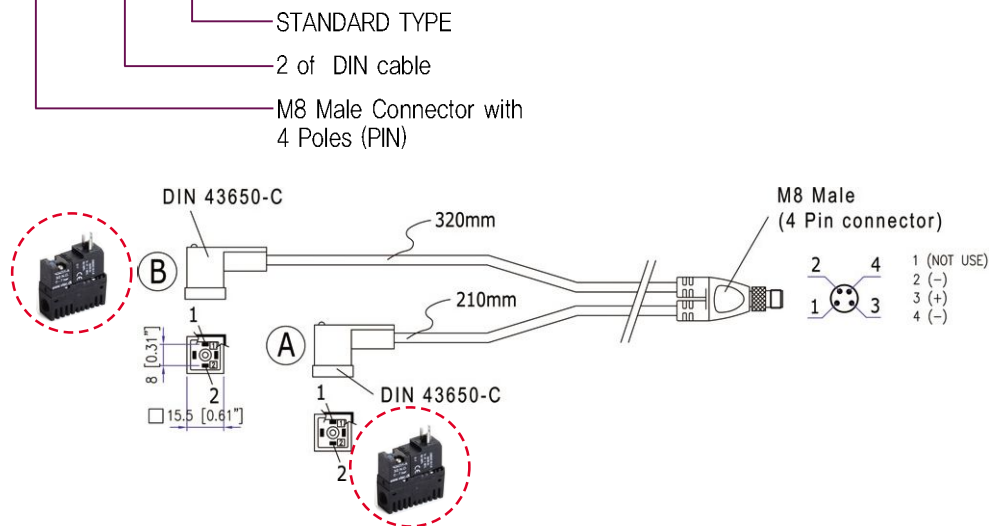


BUS Cables and Connection Cables for Vacuum Pumps

Order No.

- Bus Cables for '2 in 1' – Vacuum ON/OFF + Vacuum Release ON/OFF

BC M8 - 2D - 1

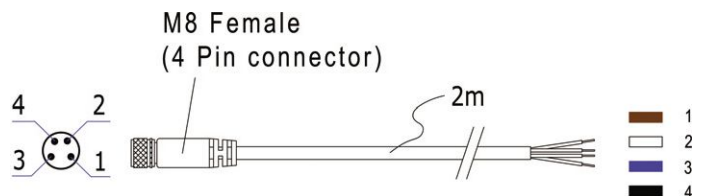
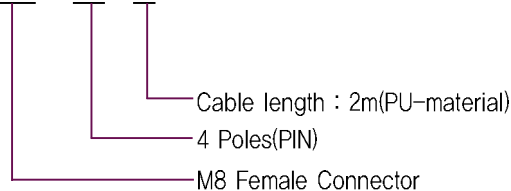


Specifications of DIN 43650-C	
Type of contact : Screw with conductor protection	Max. conductor section : 0.75 mm ²
Contact spacing : 8mm	Protection class : IP 65 assembled
Number of poles : 2 Poles	Fixing screw : M2.5 x 28.5
Cable material : PVC H03VVF	Profile gasket : NBR

Order No.

- Connection Cables for BC M8..

VC M8 - 4 - 2



Connection diagram

