

## Pressure Gauge

Compressed air : 0~10bar (0~140psi)  
 Accuracy : ±2.5% Full scale  
 Material : Brass, ABS, PMMA  
 Weight : 58g (with nut), 52g (without nut)

### Features

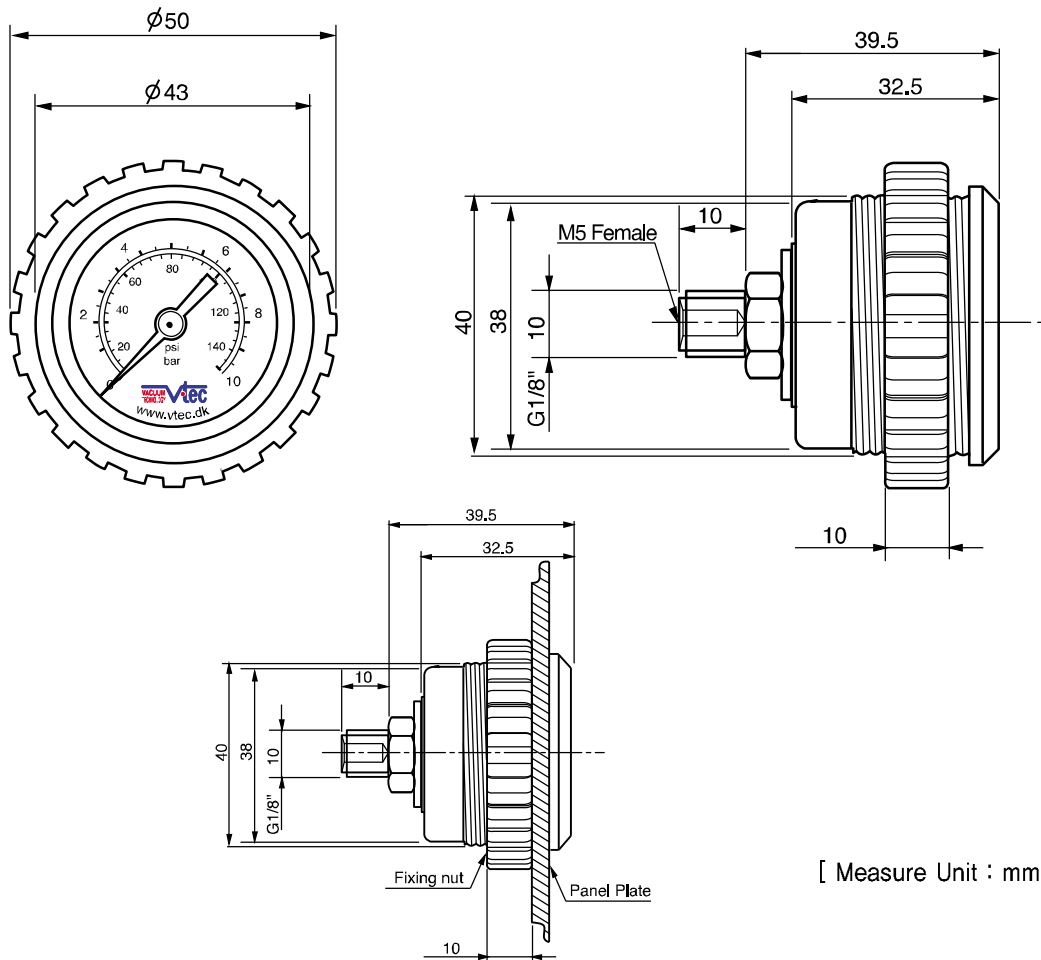
This pressure gauge are high quality & reach a very long life time. Specially, can be mounted directed into the panel plate with fixing nut.



### Order no.

Model	Description	Weight (g)
VTPG-18 + N	with nut	58
VTPG-18	without nut	52

### Dimensional Data



[ Measure Unit : mm ]