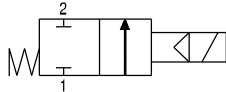


VMS 38 Control Valves

Features

2/2 way solenoid valve G3/8" (for air control) indirectly operated with spring return.
This valve are compact and can control high flow rate of air.



Order No.

VMS 38 **3** - **1**

① ② ③

① Model

- **VMS 38**

② Voltage

- **1** - AC110V
- **2** - AC220V
- **3** - DC24V

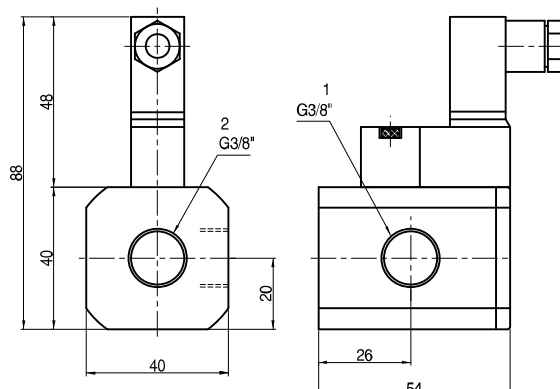
③ Solenoid terminal

- **1** - DIN type without lead wire
- **2** - DIN type with lamp without lead wire

Operating specifications

Type	VMS 38
Connection	G3/8"
Normal flow (NI/min)	1500
Pressure range (bar)	2.5 ~ 7
Temperature range	-18 °C ~ +65°C
Materials	Ni, Al, SS, POM, CuZn, NBR, PPS
Standard voltages	• DC : 24V • AC : 110V, 220V - 50/60Hz
Power consumption	1.3W
Weight (g)	220

Dimensional Information



[Measure Unit : mm]