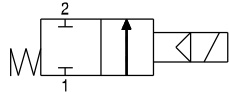


VMS14 Control Valves

Features

2/2 way solenoid valve G1/4" (for air control) indirectly operated with spring return.
This valve are compact and can control high flow rate of air.



Order No.

VMS 14 - 3 - 2

① ② ③

① Model

- **VMS 14** (Piston Valve)

② Voltage

- 1 - AC110V
- 2 - AC220V
- **3** - DC24V

③ Solenoid terminal

- 1 - DIN type without lead wire
- **2** - DIN type with lamp without lead wire
- 3 - Connector type with 0,3m lead wire & lamp : DC24V

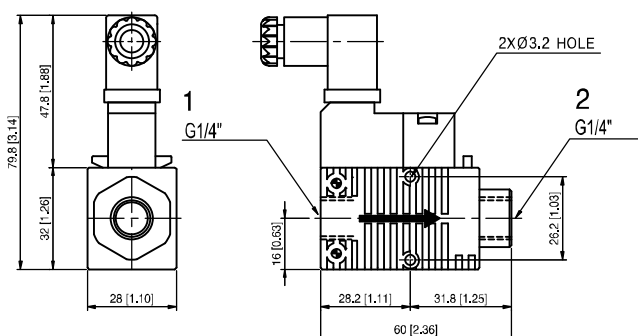
※ Remark : Connector type control valve DC24V Only.

Operating specifications

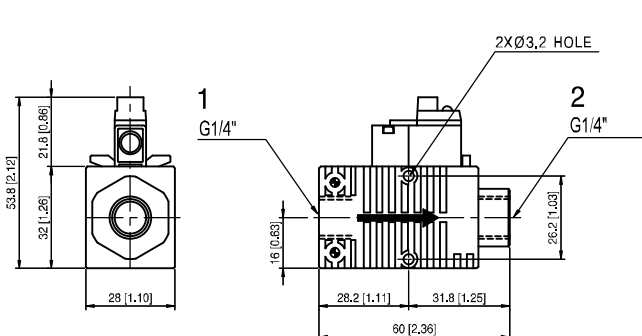
Type	VMS 14
Connection	G1/4"
Normal flow (NI/m)	1410
Pressure range (bar)	2,5 ~ 7 bar
Temperature range	-18 °C ~ +65 °C
Materials	NYLON, AL, SUM, Ni, SS, CuZn, NBR, PPS
Standard voltages	• DC : 24V • AC : 110V, 220V - 50/60Hz
Power consumption	0,85W , 1,3W
Weight (g)	80

Dimensional Information

DIN type



Connector type



Measure Unit : mm [inch]