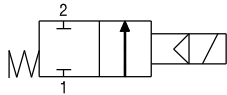


VMS18D Control Valves

Features

2/2 way solenoid valve G1/8" (for air control) indirectly operated with spring return.
This valve are compact and can control high flow rate of air.



Order No.

VMS18D - 3 - 2

① ② ③

① Model

- **VMS 18D** (Diaphragm Valve)

② Voltage

- 1 - AC110V
- 2 - AC220V
- 3 - DC24V

③ Solenoid terminal

- 1 - DIN type without lead wire
- 2 - DIN type with lamp without lead wire
- 3 - Connector type with 0,3m lead wire & lamp : DC24V

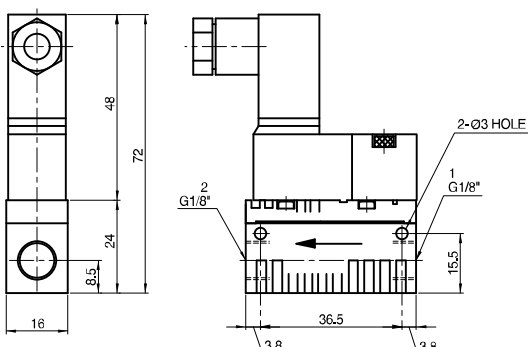
* Remark : Connector type control valve DC24V Only.

Operating specifications

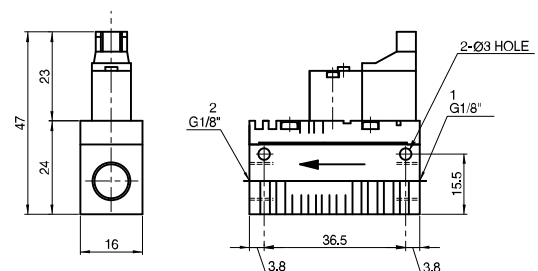
Type	VMS 18D
Connection	G1/8"
Normal flow (NI/m)	516
Pressure range (bar)	2,5 ~ 7 bar
Temperature range	0°C ~ +60°C
Materials	Ni, Al, SS, POM, CuZn, NBR, PA66, PUR, PPS
Standard voltages	• DC : 24V • AC : 110V, 220V – 50/60Hz
Power consumption	0,85W , 1,3W
Weight (g)	20

Dimensional Information

DIN type



Connector type



[Measure Unit : mm]